

AVX102

USB Joystick

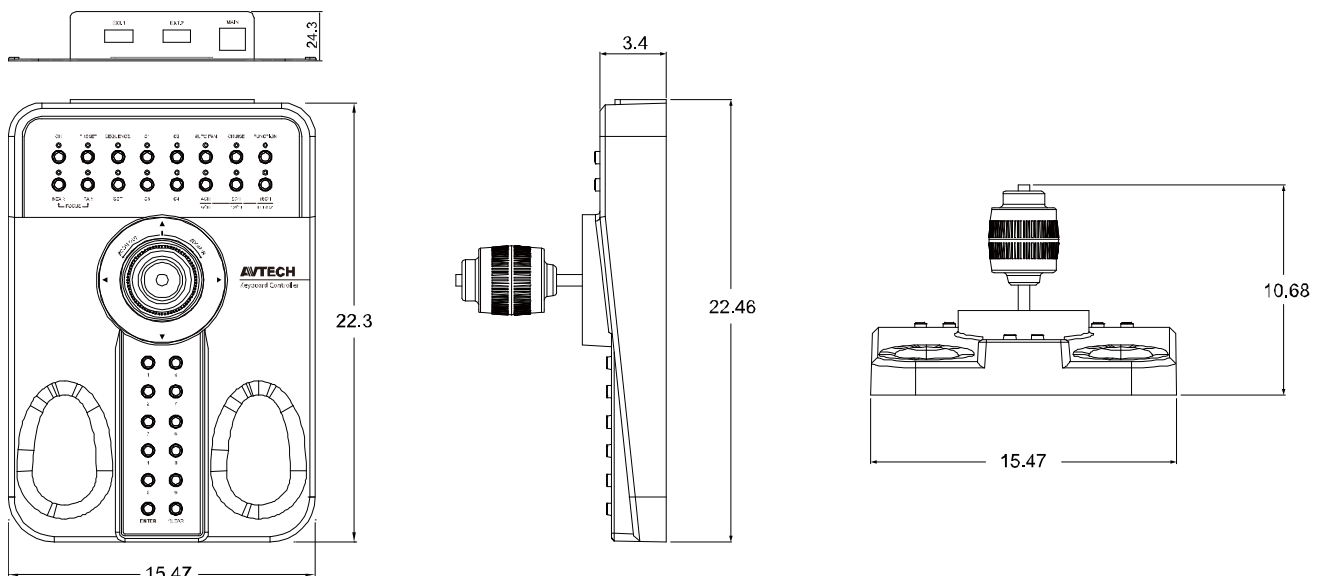


SPECIFICATIONS*

Joystick performance	3-axis joystick for PTZ control
LED Indicator	6 indicators for CH / PRESET / SEQUENCE / AUTO PAN / CRUISE / FUNCTION
Interface	USB port
Supported protocols	Fully compliant with USB Hub Specification version 2.0 and is also backward compatible with USB Hub specification 1.1
Buttons	25 dedicated buttons / 4 programmable buttons
Connectors	USB Type A x 2 (For mouse / USB flash drive / keyboard connection to use with DVR / NVR) USB Type B x 1 (For power supply via PC / DVR / NVR)
Compatibility	Compatible with PC, AVTECH NVR and HD CCTV DVR to control AVTECH PTZ camera
Environmental	Indoor
Operating Temperature	0°C ~ 60°C
Power	Via USB interface (DC 5V) / 100mA
Weight	555g

* The specifications are subject to change without notice.

CONNECTION (unit: cm)



* dimensional tolerance: ±5mm